

Feature :

Touch Sensor option, tactile feedback operation with travel
 Long life operation, cost effective , dust proof
 Customer symbol , knob, PCB module set solution
 Easy assembly for production process
 Anti-light leakage design

Application :

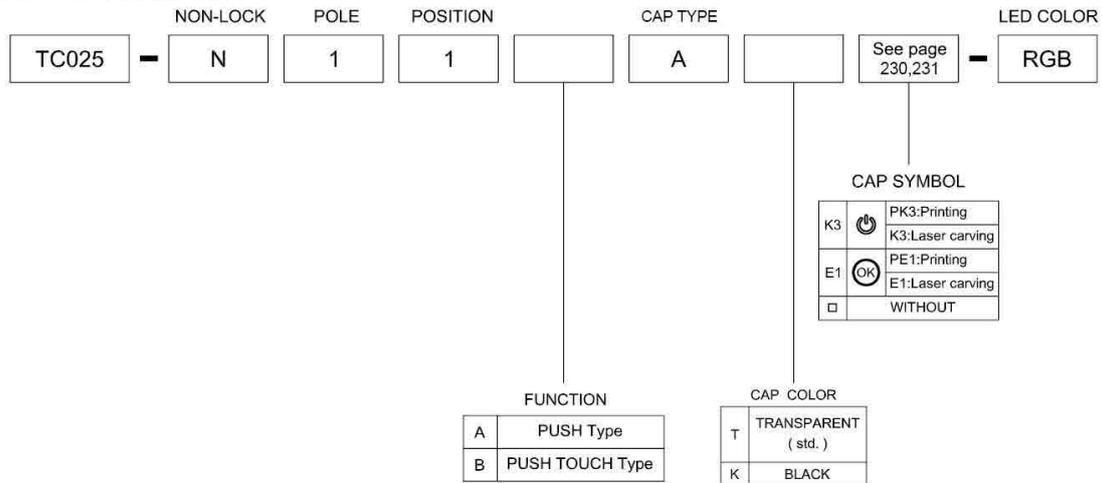
Audio / video switchers
 Instrumentation
 Communication equipments



SWITCH SPECIFICATIONS

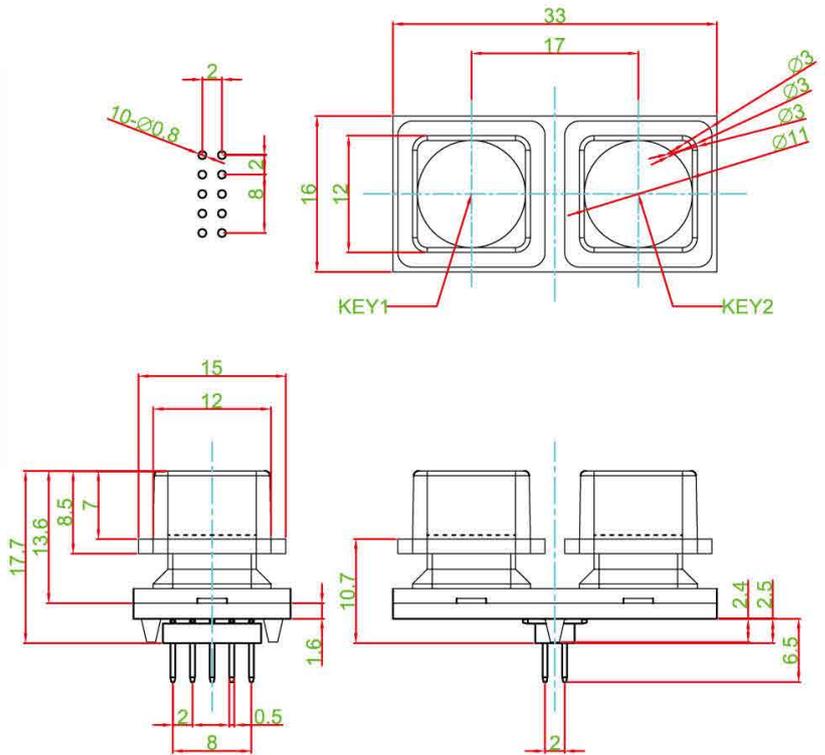
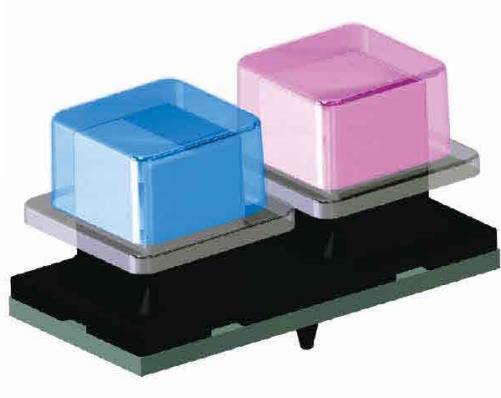
POLE - POSITION	OFF - <ON> for Momentary Type , SPST
CONTACT RATING	100mA 12 VDC
CONTACT RESISTANCE	200 mΩ MAX.
INSULATION RESISTANCE	500 MΩ MIN. 500 V DC
DIELECTRIC STRENGTH	Breakdown is not Allowable ; AC 500V (50-60HZ) for 1 Minute
OPERATING FORCE	200 ± 100 gf
OPERATING LIFE	1,000,000 cycles MIN.
OPERATING TEMPERATURE RANGE	-40°C ~ 85°C
TOTAL TRAVEL	1.5 ± 0.3 mm

HOW TO ORDER

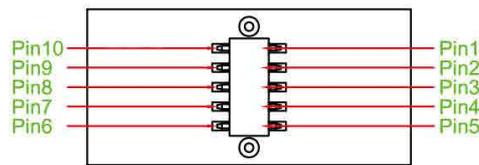


DIMENSION

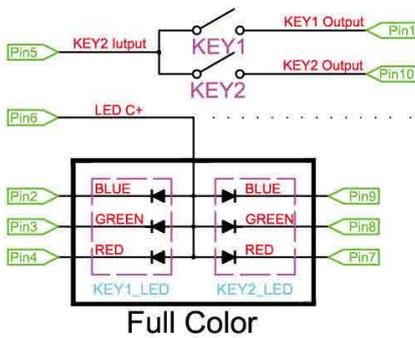
• TC025-N11AA □□-RGB



CIRCUIT



PUSH TYPE



PUSH TOUCH TYPE

